

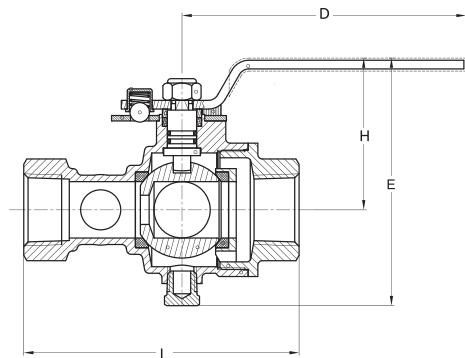
FEATURES & SPECIFICATIONS

- Positive 3 position handle for OFF, TEST or DRAIN
- Large and intergral sight glass on both sides
- ½" (nominal) test orifice K-factor 5.6
- Threaded ends : NPT or BSPT
- Working pressure : 300psi



MATERIALS LIST

Name	Material
Body	Brass
Body cap	Brass
Seat	PTFE
Ball	Brass
Stem	Brass
O-ring	NBR
Lever	Steel
Nut	Steel
Gland Packing	PTFE
Gland	Brass
Cap	Brass
Spring	Stainless Steel 304
Steel ball	Stainless Steel 304
Indicator plate	Steel
Plug	Brass
Washer	NBR
Sight glass	Lexan
Retaining ring	Brass
Stop screw	Stainless Steel 304



DIMENSIONS (mm)

Size	1"/25	1¼"/32	1½"/40	2"/50
L	127	127	167	167
H	71.5	71.5	89	89
E	115.7	115.7	147	147
D	141	141	161	161
F	42	49	58	71

