

# BRASS FIRE HOSE VALVE

**300PSI**

Fig No.: FBHV

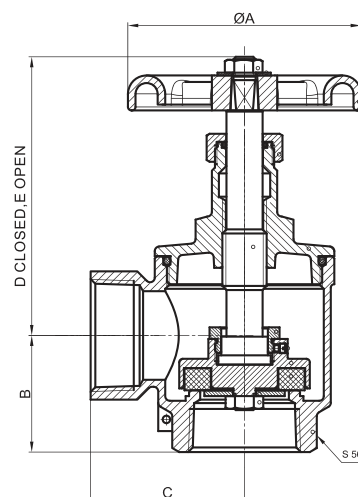
## FEATURES & SPECIFICATIONS

- Designed for fire hose rack assembly
- Inlet : Female NPT
- Outlet : Female NPT / Male hose thread
- Working pressure : 300psi



## MATERIALS LIST

Name	Material
Body	Brass
Nut	Brass
Washer	Stainless Steel 304
Seat Seal	EPDM
Holder	Brass
Set Screw	Stainless Steel 304
Lock Nut	Brass
O-ring	EPDM
Bonnet	Brass
Stem	Brass
Lock nut	Brass
O-ring	EPDM
Handle wheel	Aluminum Alloy
Wheel washer	Stainless Steel 304
Wheel nut	Brass



## DIMENSIONS (mm)

Size	1½"x1½"/40x40	2½"x2½"/65x65
<b>A</b>	100	127
<b>B</b>	50	68
<b>C</b>	63	79
<b>D</b>	119	157
<b>E</b>	145	200